

French Press Grinder

Features

Portion Control Grinder

- Accommodates up to 8" (20.3 cm) tall French press or funnel for drip-style brewer.
- Multi-batch setting allows users to specify a French press brew size or grind enough coffee into a funnel to brew larger amounts of drip-style coffee.
- Professional grind provided by large 3³/₁₆" (8.1 cm) diameter burrs powered by quiet, low speed, high torque motor.
- Equipped with commercial grinding burrs to provide maximum grinding precision for small amounts of coffee.
- Four-year warranty on grinding burrs.
- Can use Gourmet C funnel for heavier throw weights of coffee.
- Two hoppers can hold 3 lbs. (1.36 kg) each of regular and decaf or specialty beans.
- Digital touchpad for front of machine programming and LCD read-out.



FPG-2 DBC

(French press sold separately)

Dimensions: 22.4"H x 8.3"W x 10"D
(56.8cm H x 21.1cm W x 25.4cm D)

For current specification sheets and other information, go to www.bunn.com.

Related Products

Precision Burrs

All BUNN grinders use precision burrs to cut (not crush) the coffee beans and deliver consistent grind distribution. BUNN burrs are rated at a Rockwell hardness of 66C, resulting in an exceptionally long burr life.



Fine Grind Burr Set

Product No: 11285.1000

Standard Grind Burr Set

Product No: 05861.1002

Fine Grind Dechaffer Kit

Product No: 43724.0000

Standard Dechaffer (2 required)

Product No: 20588.0000

Gourmet C Funnel

Product No.: 34559.0000 (7.12" wide)
34559.0001 (7.62" wide)



- Handle may be moved to appropriate side
- Allows brewing with heavier throw weights of coffee.
- Paper Filter Pack
Product No.: 20157.0000
Packed per case: 1,000

Short French Press Funnel

Product Number: 38124.0000

Model

FPG-2 DBC

Agency Listing

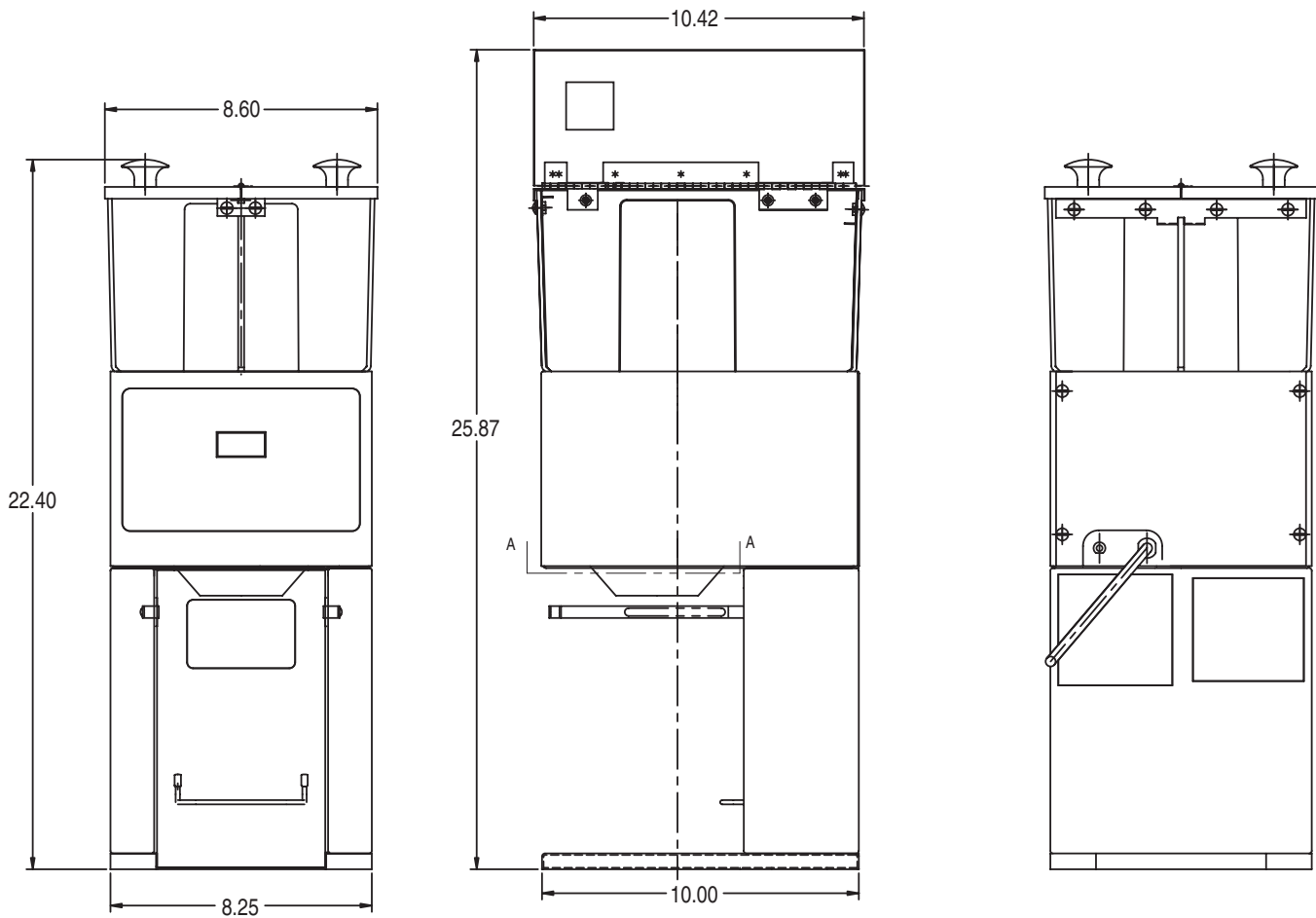


Dimensions & Specifications

Model	Product #	Volts	Amps	Capacity	Cu. Ft.	Shipping Weight	Cord Attached
FPG-2 DBC	36400.0000	120	4	3 lbs. per hopper	2.9 ft ³	29.6 lbs.	Yes*

*Power cord (NEMA 5-15P) 15 Amp-120V machine only. †Cord attached with no plug.

Electrical: Model requires 2-wires plus ground service rated 120V, single phase, 60 Hz.



Bunn-O-Matic® Corporation - 1400 Stevenson Drive Springfield, Illinois 62703 • 800-637-8606 • 217-529-6601 • Fax 217-529-6644 • www.bunn.com

BUNN® practices continuous product research and improvement. We reserve the right to change specifications and product design without notice. Such revisions do not entitle the buyer to corresponding changes, improvements, additions or replacements for previously purchased equipment.

All dimensions shown in inches.